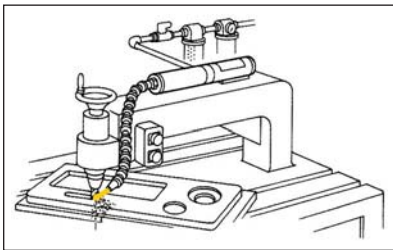


Coldstream Air Gun

Coldstream Air Guns from Meech Air Technology provide a cold airflow that is commonly used for spot cooling. The cold airflow can be as low as -60°C and be maintained to $\pm 0.6^{\circ}\text{C}$.

APPLICATIONS:

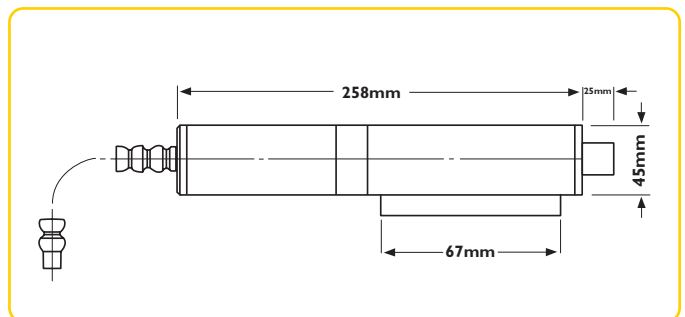
- *Weld seam cooling*
- *Woodworking routing*
- *Cooling foodstuffs*
- *Metalworking: grinding*
- *Plastics machining*
- *Textiles: sewing*



Woodworking - Routing

For faster routing, without burning and discolouring the wood, the Coldstream Gun directs air at -12°C on to the router bit, leaving no residue.

DIMENSIONS:



How it works:

The Vortex Tube (see page 22) is at the heart of the Coldstream Air Gun encased within hot and cold end silencers. The cold air produced by the vortex tube is easily directed on to the area to be cooled by use of the knuckle trunking, whilst the hot air created by the opposite end of the vortex tube flows to atmosphere via a silencer.

FEATURES AND BENEFITS:

- | | | |
|-----------------------|---|---------------------------------|
| No moving parts | - | Low maintenance |
| Stainless Steel | - | Suitable for harsh environments |
| Adjustment knob* | - | Accurate temperature control |
| 28cm knuckle trunking | - | Easy direction of cold airflow |
| Magnetic base | - | Quick and easy mounting |

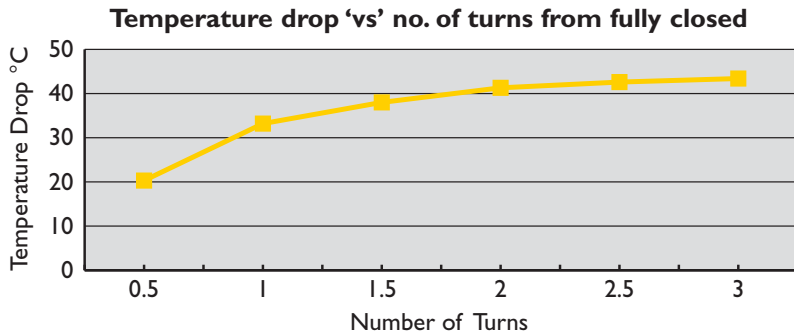
*adjustable models only

PRODUCT NUMBERS AND DESCRIPTIONS:

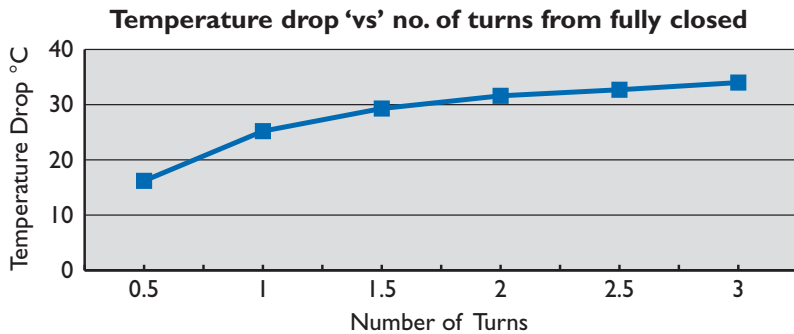
A60015A	-	Large Adjustable Coldstream Air Gun, Single 1/2" outlet
A60015	-	Large Non Adjustable Coldstream Air Gun, Single 1/2" outlet
A60015AY	-	Large Adjustable Coldstream Air Gun, Double 1/2" outlet
A60015Y	-	Large Non Adjustable Coldstream Air Gun, Double 1/2" outlet
A60008	-	Small Non Adjustable Coldstream Air Gun, Single 1/4" outlet



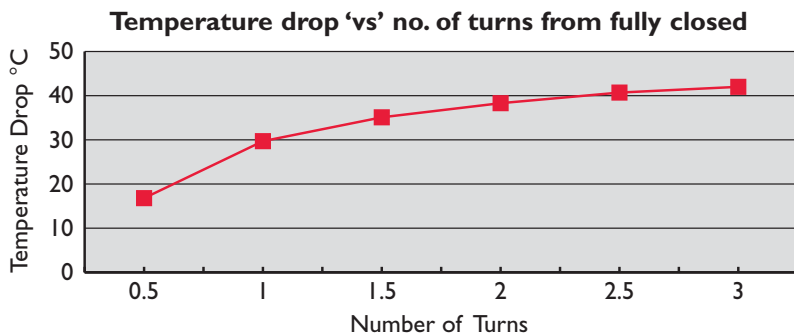
YELLOW GENERATOR:



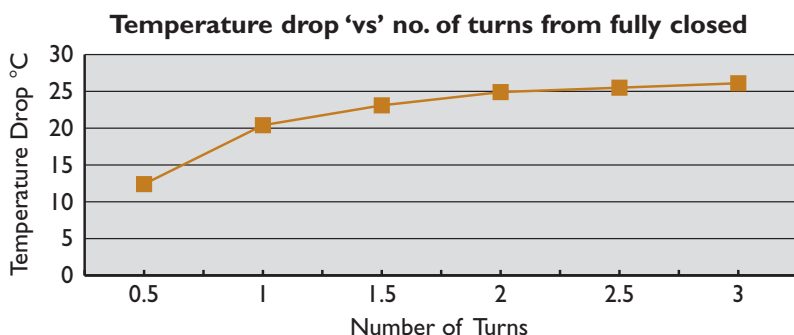
BLUE GENERATOR:



RED GENERATOR:



BROWN GENERATOR:



Temperature Drop

The graphs (left) detail the temperature drops in °C that are achievable from the inlet air temperature supplied to the Coldstream Air Gun. For each 'generator' temperature drops are shown with the adjustment knob set at 0.5, 1, 1.5, 2, 2.5 and 3 turns from fully closed at 80 psi inlet air pressure.

Generator	Air Consumption		Cooling Capacity	
	cfm	lpm	W	Btu/hr
Yellow	10	283	190	650
Red	15	425	293	1000
Blue	25	708	499	1700
Brown	35	991	703	2400

All Coldstream Air Guns are supplied with 10, 15, 25 and 35cfm (yellow, red, blue and brown) generators.



The generator controls the air consumption of the coldstream air gun and influences the temperature drop that is achievable.

The 15cfm red generator is factory fitted and the coldstream air gun is calibrated with the adjustment knob open 2.5 turns from fully closed.

