

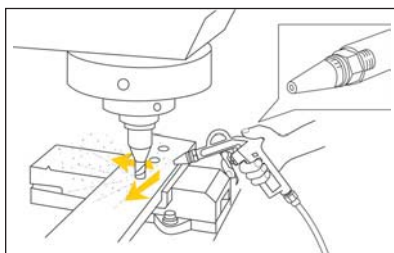


Energy Saving Safety Blowgun

Energy Saving Safety Blowguns from Meech Air Technology combine an ergonomic lightweight gun handle with the Meech Nozzle (see page 6). Meech blowguns typically save up to 70% of compressed air usage compared to conventional types of blowgun whilst dramatically reducing noise levels.

APPLICATIONS:

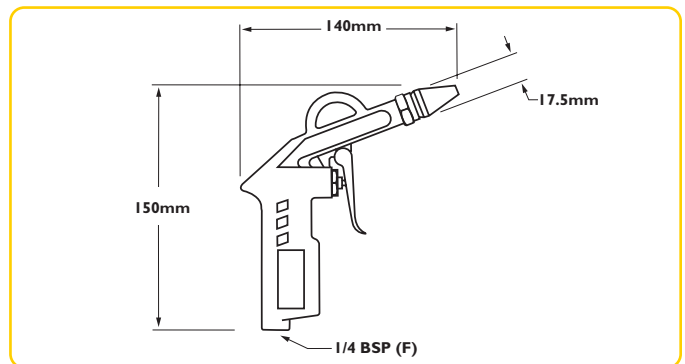
- *Air saving: reduction of energy bills*
- *Compressor demand reduction*
- *Noise reduction*
- *Swarf removal*
- *Any Blowgun task*



Drilling - Swarf Removal

The 25:1 air amplification of the Meech Blowgun provides plenty of cleaning power whilst lowering air consumption and noise levels.

DIMENSIONS:



How it works:

The innovative nozzle design forces compressed air through an adjustable shim and then directs it at high velocity on to the outside of the nozzle cone (no air exits the hole at the end of the nozzle; a simple lock screw is located here for shim adjustment). This design amplifies the output airflow by entraining ambient air at a ratio of 25:1 and is compliant with health and safety requirements.

FEATURES AND BENEFITS:

- | | | |
|-------------------|---|-----------------------------|
| Innovative design | - | 25:1 air amplification |
| | - | Up to 50dBA noise reduction |
| | - | Health and Safety compliant |
| No moving parts | - | Low maintenance |
| Adjustability | - | Application specific set-up |
| Ergonomic handle | - | Operator comfort |

PRODUCT NUMBERS AND DESCRIPTIONS:

A45400	-	Energy Saving Safety Blowgun, Aluminium Nozzle (Silver)
A45400SS	-	Energy Saving Safety Blowgun, Stainless Steel Nozzle (Silver)
A45401	-	Energy Saving Safety Blowgun, Aluminium Nozzle (Black)
A45401SS	-	Energy Saving Safety Blowgun, Stainless Steel Nozzle (Black)



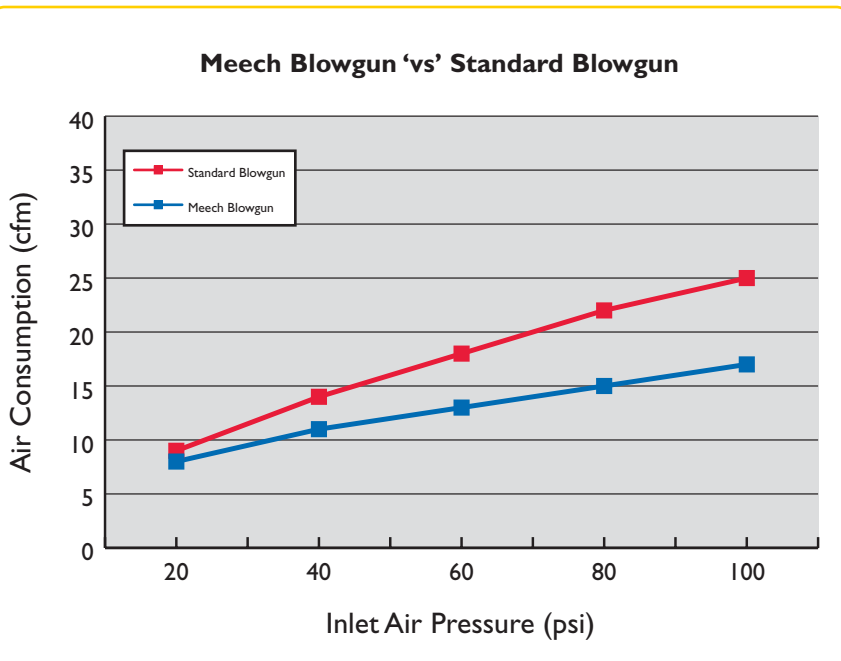
MEECH BLOWGUN:

Inlet Air Pressure		Air Consumption		Sound Level
psi	bar	cfm	lpm	dBA
20	1.4	8	227	66
40	2.7	11	312	72
60	4.1	13	368	76
80	5.4	15	425	78
100	6.8	17	481	80

STANDARD BLOWGUN:

Inlet Air Pressure		Air Consumption		Sound Level
psi	bar	cfm	lpm	dBA
20	1.4	9	255	75
40	2.7	14	396	83
60	4.1	18	510	90
80	5.4	22	623	93
100	6.8	25	708	95

PERFORMANCE GRAPH:



Energy Saving Example

Company 'B' uses 50 standard blowguns at 80psi inlet air pressure to blow swarf from machined parts. Each part takes approximately 1 minute to clean and each operator cleans 450 parts per day. Company 'B' works 5 days per week, 48 weeks per year and has an electricity cost of 5p/kWhr.

Each standard blowgun consumes 22cfm and costs £1.55 per day to run, giving a total cost of £77.50 per day.

By installing Meech Blowguns dramatic cost savings can be made. When running at 80psi inlet air pressure, each Meech Blowgun consumes 15cfm and costs £1.05 per day to run, giving a total cost of £52.50 per day.

RUNNING COST COMPARISON:

Duration	1xMBG*	1xSBG**	50xMBG	50xSBG
Per Day	£1.05	£1.55	£52.50	£77.50
Per Week	£5.27	£7.73	£263.50	£386.50
Per Year	£253	£371	£12,656	£18,562

* MBG - Meech Blowgun
** SBG - Standard Blowgun

Investment in 50 Meech Blowguns costs less than £1,000 and gives Company 'B' an annual saving of £5,906 (£18,562 - £12,656), equivalent to 32%.

The workforce of Company 'B' also benefits from a substantial drop in noise levels. A standard blowgun running at 80psi inlet air pressure has a noise level of 93dBA, 8dBA above the 85dBA tolerable noise level. By comparison a Meech Blowgun has a noise level of 78dBA.

