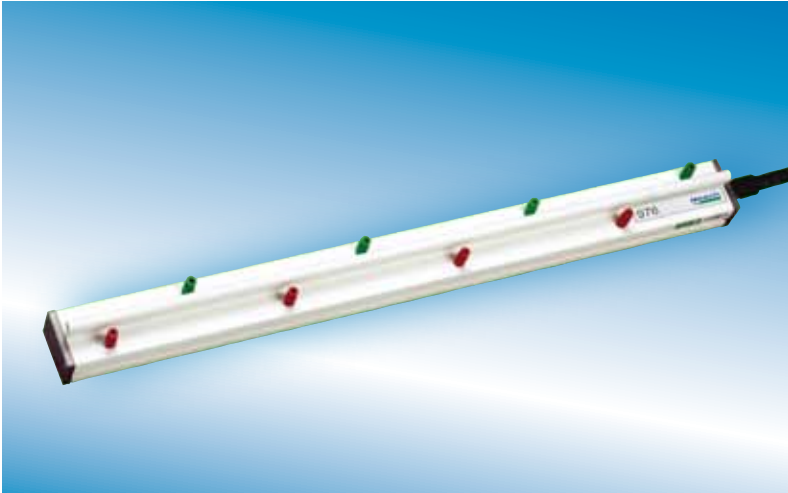


976

Pulsed DC Bar



The Meech Model 976 Pulsed DC Bar is unique and has been designed to provide highly effective long range ionisation up to distances of 600mm. It is shockless and is easily maintained.

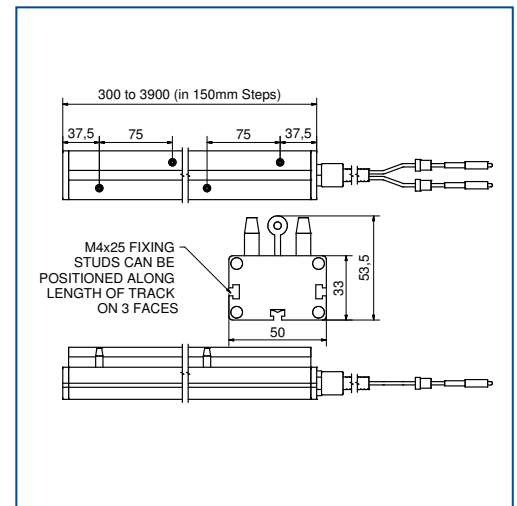
The Model 976 can be powered by any of the range of Meech Pulsed DC Controllers (refer to separate datasheets).

Patent No. ZL20053000277.6

976/07/EN/-11/09

Technical Characteristics

Dimensions	50mm x 50mm x length (up to 4000mm)
Weight	400gms per 300mm length
Construction	FR ABS extrusion
Maximum operating temperature	60°C
Mounting	2x M4 x 20mm studs into "T" slots
HT Cable	2m shielded in flexible conduit; longer lengths can be ordered
Emitters	Titanium (replaceable)
Operating voltage	Up to 15kV DC
Operating current	Less than 50 μ A



Feature

Benefit

Fast, long range performance (up to 600mm without air resistance)	Flexibility in positioning. Effective at faster web speeds.
Unique profile & emitter layout	Reduced ion recombination & enhanced performance
Resistively coupled emitter pins	Shockless, thereby enhancing operator safety
Sharp titanium emitter pins	Reduced pin contamination & longer effective life
Removable & replaceable emitter pins	Reduced downtime for maintenance. System efficiency maintained without total replacement and life of bar is substantially lengthened
Easy wipe casing	Reduced dust contamination, easy maintenance & sustained performance
Unique "T" channel mounting system	Simple & quick installation
Air boost option	Enhanced range (up to 1200mm) and speeds
Bar inter-connect option	Installation of bars in-line to minimise HT cabling

Product shown in this document may be covered by one or more patents, patents applied for and/or registered designs and/or trade marks. For further information please refer to our Head Office or visit www.meech.com.

Meech International

UK: +44 1993 706 700
Hungary: +36 27 535 075

USA: +1 330 564 2000
China: +86 21 6405 7737

Belgium: +32 8067 0204

email: sales@meech.com
web: www.meech.com

