

Blowing/ Air Movement

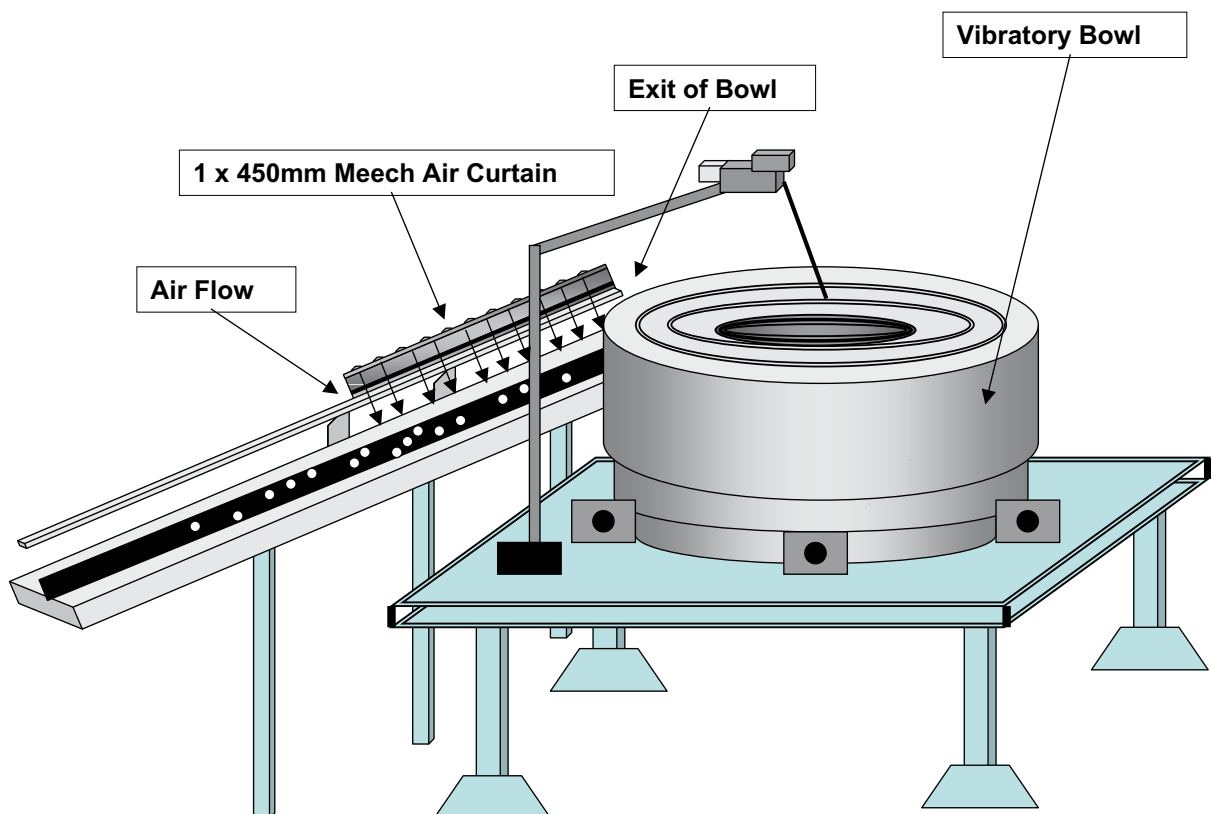
Air Curtains



MAT - Air Curtains - Blowing/
Air Movement - ISSUE 1/EN-01/10

Application/ Problem

Air Curtains can be used to cause air movement over a specific area or a machine to help move parts along a line. This can be extremely effective on lines where blockages are a common problem.



Example/Solution

An electronics company was having difficulty with parts jamming on the exit of a vibratory bowl feeder. The parts would jam when exiting the vibratory bowl and moving chute. An Air Curtain was fitted and the chute avoided jamming.

Products shown in this document may be covered by one or more patents, patents applied for and/or registered designs and/or trade marks. For further information please refer to our Head Office or visit www.meech.com.

Meech International

UK: +44 1993 706 700
Hungary: +36 27 535 075

USA: +1 330 564 2000
China: +86 21 6119 6725

Belgium: +32 8067 0204

email: sales@meech.com
web: www.meech.com

© Meech Static Eliminators Ltd 2010

