

Liquid Blow off

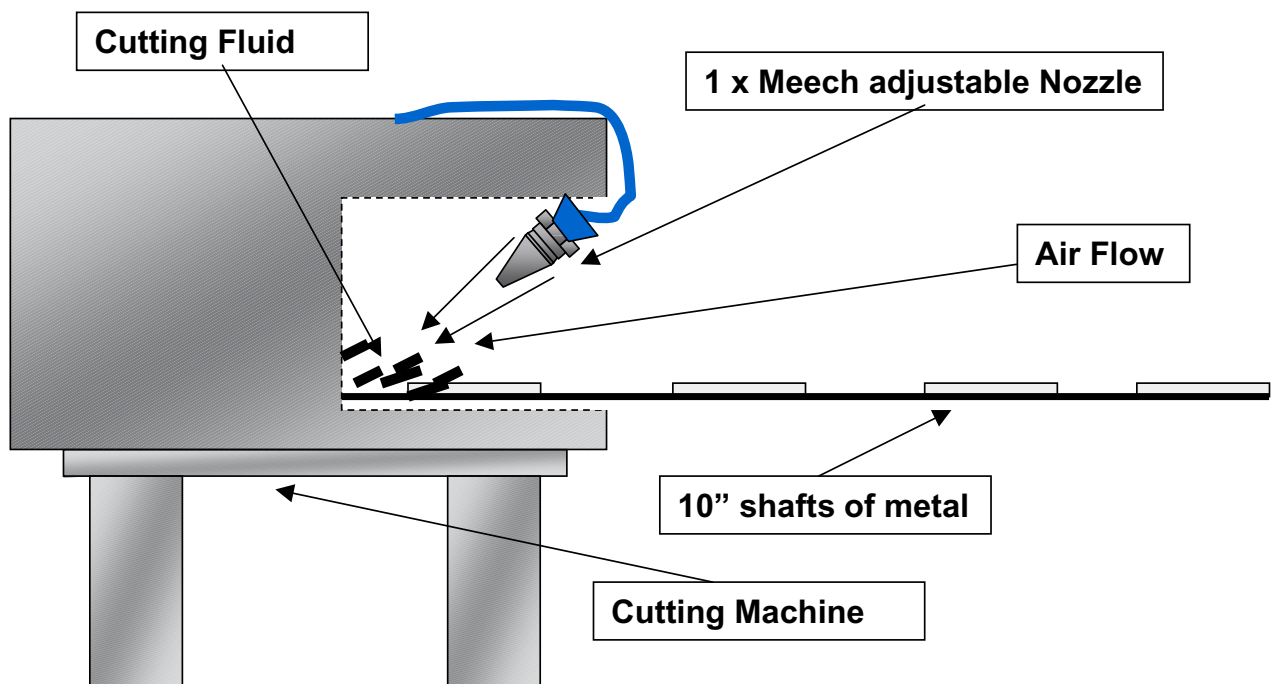
Energy Saving Safety Nozzle & Blow Gun



MAT - Energy Saving Safety Nozzle
& Blow Gun - Liquid blow off -
ISSUE 1/EN-01/10

Application/ Problem

Meech Air Nozzles can be used to move water from a product. The size and adjustability of the Nozzles also allow the excess water to be blown in a particular direction.



Example/Solution

A company is machining 10" long shafts of metal. The cutting fluids drip onto the floor causing a health and safety risk. Air Nozzles can be used to blow the cutting fluid back into the machine as the shafts exit

Products shown in this document may be covered by one or more patents, patents applied for and/or registered designs and/or trade marks. For further information please refer to our Head Office or visit www.meech.com.

Meech International

UK: +44 1993 706 700
Hungary: +36 27 535 075

USA: +1 330 564 2000
China: +86 21 6119 6725

Belgium: +32 8067 0204

email: sales@meech.com
web: www.meech.com

© Meech Static Eliminators Ltd 2010

